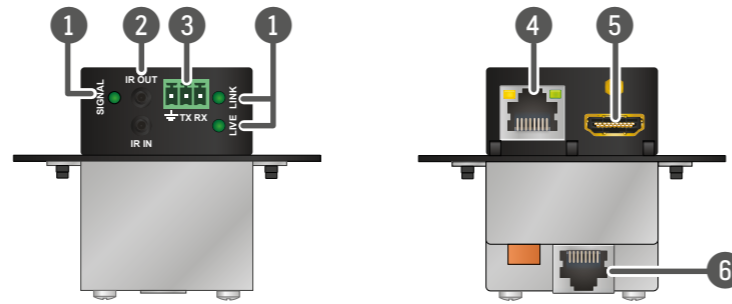




Quick Start Guide

WP-HDMI-TPS-TX97-EU, -EUROMOD, -UK, -US
FP-HDMI-TPS-TX97-GB3, -LEGRAND, -CRFB

Front and Rear View (WP-HDMI-TPS-TX97-US)



WP-HDMI-TPS-TX97 series have the same connectors but the dimensions are different.

Compatible Devices

TPS-97 extenders are compatible with all Lightware devices with TPS port except the TPS-90 series.

The product is compatible with any HDBase™ third party devices.

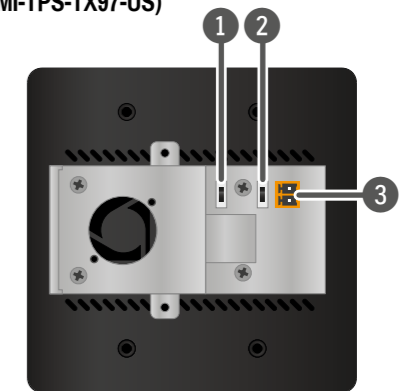


HDBase™ and the HDBase Alliance logo are trademarks of the HDBase Alliance.

- 1 **Status LEDs** The LEDs give feedback about the state of the unit and the video signals. See Status LEDs for details.
- 2 **IR input/output** 2 TRS (3.5mm jack) connectors for Infrared units (IR IN for the detector, IR OUT for the emitter).
- 3 **RS-232 connector** 3-pole Phoenix connector for RS-232 serial port. Firmware upgrade can also be performed over this interface.
- 4 **Ethernet** Locking RJ45 connector for Ethernet communication.
- 5 **HDMI input** Input for a digital video source. Applied cable shall not be more, than 20 m (at 1080p) and 5 m (at 4K).
- 6 **TPS output port** Locking RJ45 connector for HDBase™ signal transmission. Connect a twisted pair cable between the transmitter and the receiver.
- 7 **Tie-down point** The built-in tie-down points are designed to clamp the HDMI and the CATx cable and ensure stable connection. Please see the enlarged picture below.



Bottom View (WP-HDMI-TPS-TX97-US)



- 1 **RS-232 switch** **Normal:** serial data is passed through the device. **Prog:** RS-232 pass-through function is disabled, the device is ready for the firmware upgrade (see RS-232 switch modes section for details).
- 2 **TPS mode switch** **LR:** Longreach TPS mode; lower resolution (max 1080p), longer distances. **Auto:** TPS mode is determined automatically.
- 3 **DC Input** Connect the output to the 3-pole Phoenix connector on the bottom of the wall plate.

Important Safety Instructions

Please read the supplied safety instruction document before using the product and keep it available for future reference.

Introduction

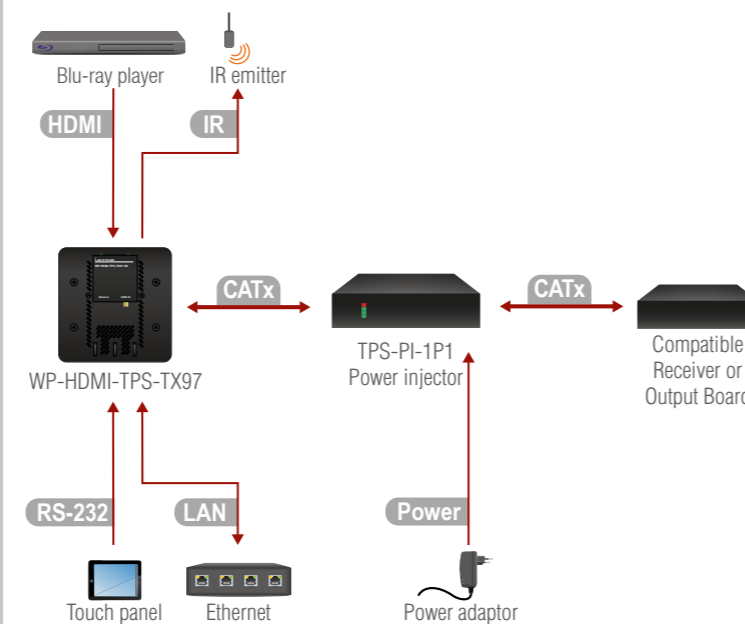
WP/FP-HDMI-TPS-TX97 series twisted pair HDBase™ extenders provide extension of uncompressed 4K/UHD video with embedded audio (up to eight channel PCM or HBR audio) for long distances over a single CATx cable. The thoroughly redesigned form factor of the wall and floor panels allows for easier connecting and removing cables in narrow spaces (behind TV sets, under floor panel lids) and reduces cable bending and breaking. The built-in cable tie-down points further ensure stable connection and reduce cable stress.

Box Contents



Please note that the 48V power adaptor is an optional accessory which can be purchased separately.

Connecting Steps

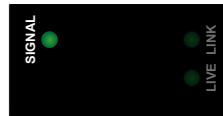


- CATx** Connect the TPS output port of the transmitter to the **TPS+PoE** port of the TPS-PI-1P1 by a CATx cable. Connect the receiver (or the Matrix input board) to the power injector by a CATx cable via the TPS port.
- HDMI** Connect the source (e.g. Blu-ray player) to the HDMI input port by HDMI cable.
- RS-232** Optionally for RS-232 extension: connect a controller/controlled device (e.g. Touch panel) to the RS-232 port.
- IR** Optionally for Infrared extension:
 - Connect the IR emitter to the IR OUT port of the transmitter, and/or
 - Connect the IR detector to the IR IN port of the transmitter.
- LAN** Optionally connect the transmitter to a LAN.
- Power** Powering on the devices is recommended to do as the final step during the installation. Please check the Power Supply Options section for the details.

Status LEDs

SIGNAL

- OFF: no video signal transmission is present.
- ON: video signal transmission is present.



LINK

- OFF: TPS connection failed between the devices.
- BLINKING: TPS connection is detected and Low Power Partial Functionality (LPPF) link mode is active.
- ON: TPS connection is detected and HDBase™ (HDBT) or Long reach (LR) link mode is active.

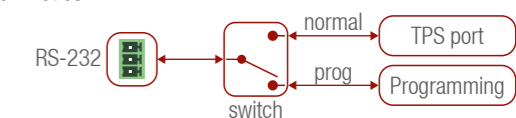


LIVE

- OFF: no power supply or out of order.
- BLINKING: device is powered and ready to use.



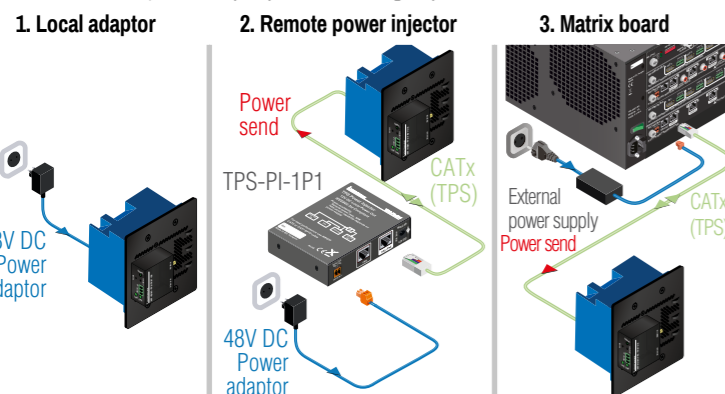
RS-232 Switch Modes



Power Supply Options

TPS-97 extenders are compatible with IEEE 802.3af standard - Power over Ethernet (PoE) - and can receive power over the TPS line.

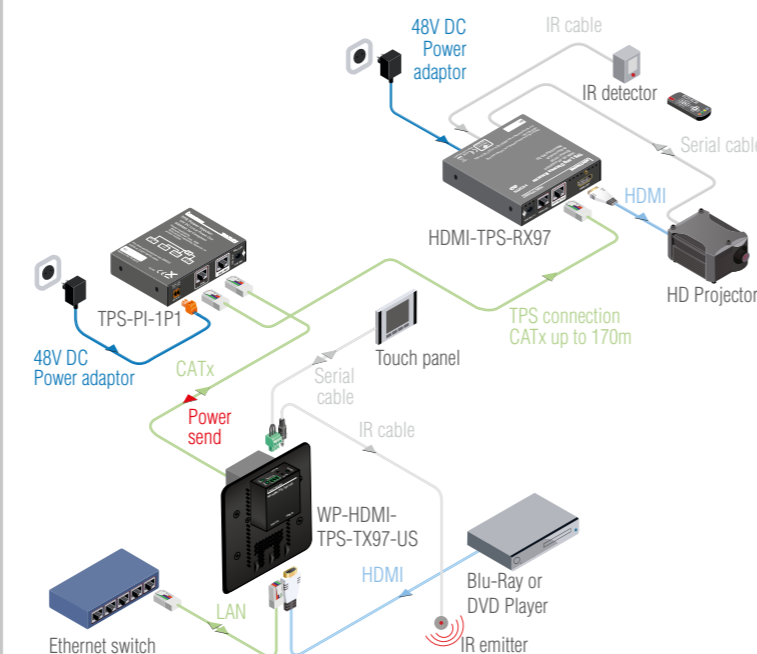
The extender can be powered by any of the following ways:



TPS-TX/RX90 and TPS-TX/RX95 are not PoE-compatible, thus not able to remote power the WP-HDMI-TPS-TX/97 series and vice versa. WP-UMX-TPS-TX97 series contains PoE-compatible remote power function (PD, Powered Device), RX95 and TX95 extenders can be remote powered only by each other.

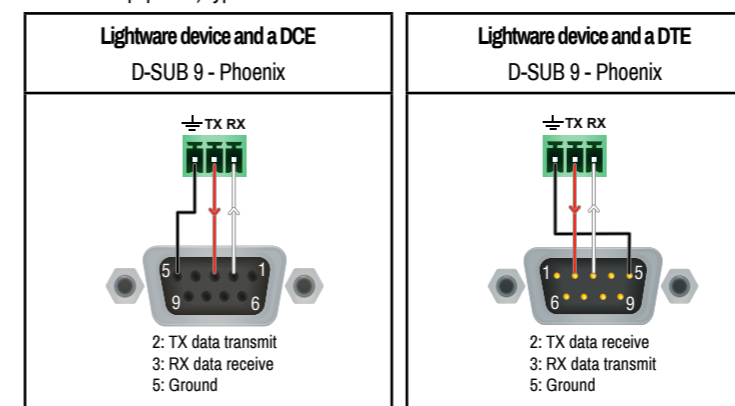
Warranty void if damage occurs due to the usage of a different power source.

Typical Application



Wiring Guide for RS-232 Data Transmission

WP/FP-HDMI-TPS-RX97 series are built with 3-pole Phoenix connector. See the below examples of connecting to a DCE (Data Circuit-terminating Equipment) or a DTE (Data Terminal Equipment) type device:



For more information about the cable wiring see the user's manual of the device or Cable Wiring Guide on our website www.lightware.com/support/guides-and-white-papers.

Further Information

The product brief and further information of this appliance is available at www.lightware.com. See the Downloads section on the dedicated product page.

Contact Us

sales@lightware.com
+36 1 255 3800

support@lightware.com
+36 1 255 3810

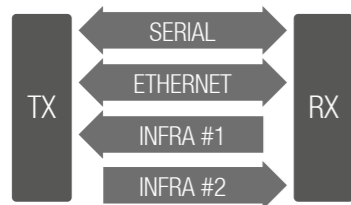
Lightware Visual Engineering LLC.
Peterdy 15, Budapest H-1071, Hungary

Doc. ver.: v1.3
19200169

Bidirectional Pass-through Data Lines

The direction of the video extension is fixed from TX towards RX but the pass-through data lines are bidirectional*. It means the RS-232, IR, Ethernet source and sink devices can be connected either to the TX or to the RX and the signal is transmitted to the other extender.

* In fact IR transmission is uni-directional but the extender has two IR channels with different directions.



RS-232

Third party devices with standard RS-232 port are supported as the extenders work in „pass-through“ mode. TX and RX provide 3-pole Phoenix connector. The RS-232 options – the baud rate and the parity bits are set on the third party devices and it can be anything. The extenders support any kind of serial settings.

❶ Please find the RS-232 device type in its user guide; the extenders work as DCE devices.

Ethernet

The Ethernet port on the RX or on TX can be connected to a LAN hub, switch or router with a LAN cable. The other side behaves as an Ethernet uplink port. The extenders support 10/100 Mbps data transfer rate. The Ethernet port has auto crossover function. It is able to recognize and handle both cable types: patch and cross TP cables.

Infrared (IR)

One emitter and one detector is enough for remote controlling one IR sink device. If there is an IR sink device to be controlled next to the TX and the other one is next to the RX, two emitter-detector pairs are needed. The IR emitter and the detector have standard 3.5 mm TRS (jack) connectors. The emitter's plug has two poles (mono) and the detector's plug has three poles (stereo).

❶ The emitter and detector pair is not supplied with the product, it can be ordered from Lightware separately.

Types of IR connectors (1/8" TS / TRS)

Detector – 3-pole-TRS		Emitter – 2-pole-TS	
1 Tip	Signal (active low)	1 Tip	+5V
2 Ring	GND	2 Ring	Signal (active low)
3 Sleeve	+5V	3 Sleeve	

TPS Link Modes

The TPS working mode between the transmitter and the receiver parties is determined by the mode set in them. Both parties influence on the setting which determines the final TPS transmission mode. The following TPS modes are defined:

- **Long reach (LR):** Longer CATx cable length, less bandwidth (limited resolution). The LPPF mode is not available in LR TPS link mode.
- **HDBaseT™ (HDBT):** more bandwidth (higher resolutions), shorter CATx cable length. If no video present, the units change to LPPF mode automatically.
- **Low Power Partial Functionality (LPPF):** Only Ethernet, RS-232 and IR are extended.

Toggle between TPS link modes

The toggle switch on the extenders can be used to toggle between the LR and Auto TPS modes. If both units have Auto state and there is valid video signal on the transmitter the common mode will be HDBT. If the video signal disappears devices go into LPPF mode.

The negotiated TPS working mode		Selected mode (RX)	
		LR	Auto
Selected mode (TX)	LR	LR	LR
	Auto	LR	HDBT

TPS mode between an extender and a port of a matrix board

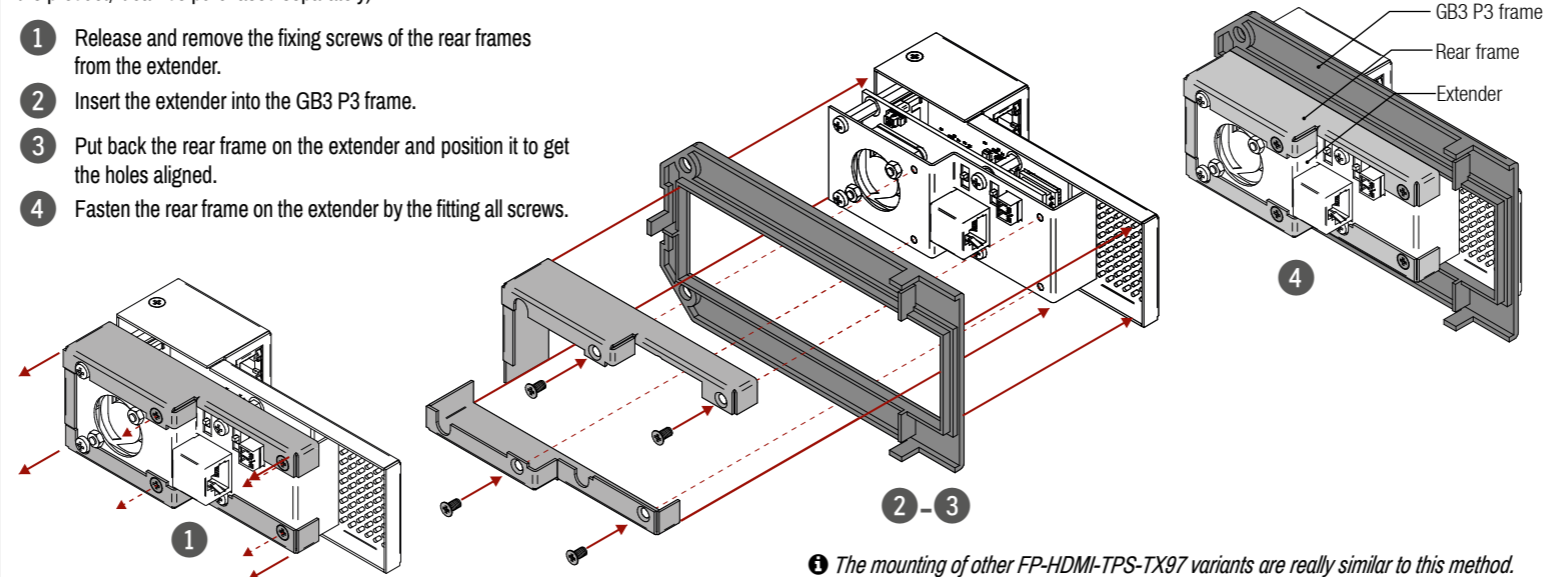
If an extender and a TPS matrix board are paired the board forces the extender to use the settings of the matrix. The extender's TPS mode switch has no effect.

❶ Always use the Auto mode with third-party devices!

Mounting Options - FP-HDMI-TPS-TX97-GB3

This example shows how to mount the FP-HDMI-TPS-TX97-GB3 transmitter easily into an industrial standard box (GB3 mounting box is not supplied with the product, it can be purchased separately).

- 1 Release and remove the fixing screws of the rear frames from the extender.
- 2 Insert the extender into the GB3 P3 frame.
- 3 Put back the rear frame on the extender and position it to get the holes aligned.
- 4 Fasten the rear frame on the extender by the fitting all screws.

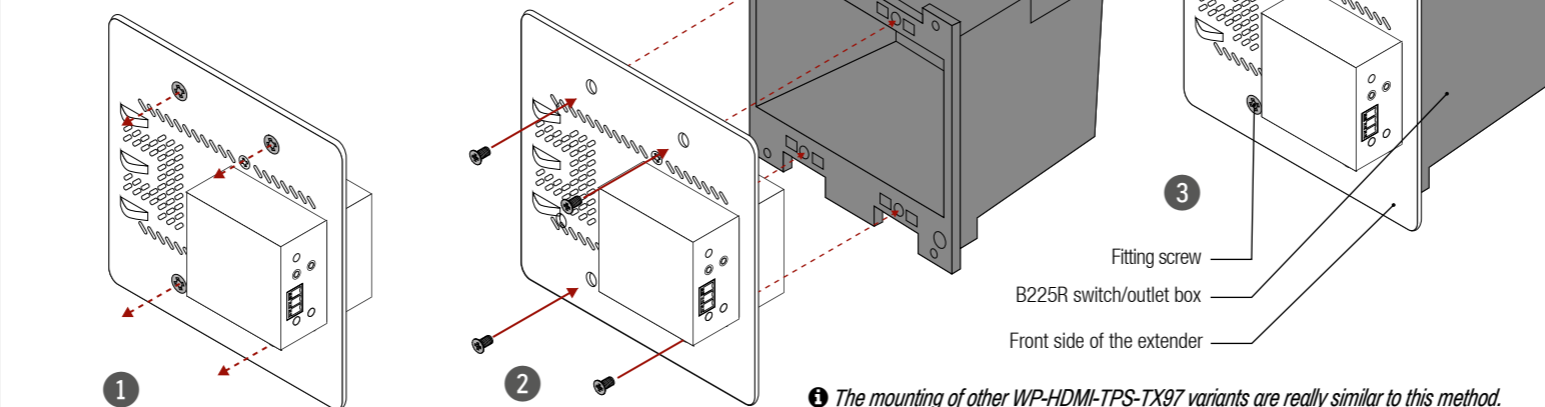


❶ The mounting of other FP-HDMI-TPS-TX97 variants are really similar to this method.

Mounting Options - WP-HDMI-TPS-TX97-US

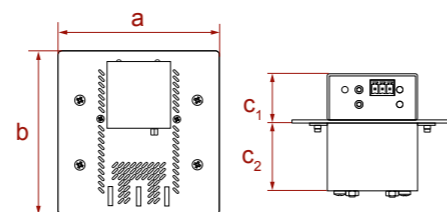
Thanks to the design of Lightware devices, WP-HDMI-TPS-TX97-US transmitter can be mounted easily into an industrial standard box as the figures show below. B225R switch/outlet box is not supplied with the product, it can be purchased separately.

- 1 Release and remove the fixing screws from the front side of the extender.
- 2 Insert the extender into the B225R outlet box and position it to get the holes aligned.
- 3 Fasten the front side of the extender to the B225R outlet box by fitting all the screws.



❶ The mounting of other WP-HDMI-TPS-TX97 variants are really similar to this method.

Dimensions



Variant	Dimensions (mm)				Recommended outlet box type for mounting
	a	b	c ₁	c ₂	
WP-HDMI-TPS-TX97-EU	80	150	24.38	33.72	European two gang panel Part no.: 77190-D3
WP-HDMI-TPS-TX97-JK	80	140	24.38	33.72	Appleby galvanised steel knockout boxes 2g 47mm Faceplate (for EUROMOD); CE Double Gang Flat Faceplate Part no.: QFP-QTM
WP-HDMI-TPS-TX97-EUROMOD	49.6	99.6	28.76	29.4	
WP-HDMI-TPS-TX97-US	114.3	115.9	24.46	33.64	B225R
FP-HDMI-TPS-TX97-GB3	44.8	134.5	31.5	26.63	OBO Bettermann: UT4 Part no.: 7408727 Cover plate: OBO Bettermann UT4 P3 Part no.: 7408 76 1
FP-HDMI-TPS-TX97-LEGRAND	44.8	134.5	31.5	26.63	Legrand 896_10
FP-HDMI-TPS-TX97-CRFB	69.8	113.2	39.6	21.53	Legrand CRFB

Maximum Extension Distances

Below values are valid when the transmitter is powered by a local adaptor; distances may decrease depending on the powering mode (local or remote) and cable quality.

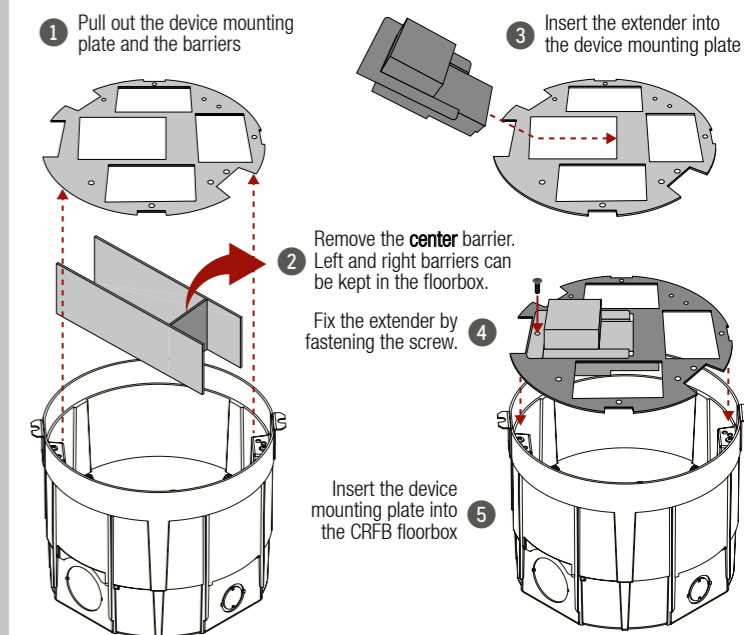
Resolution	Pixel clock rate	Cable lengths (Auto / Long reach TPS mode)		
		CAT5e AWG24	CAT7 AWG26	CAT7 AWG23
1024x768@60Hz	65 MHz	100 m / 130 m*	90 m / 120 m*	120 m / 170 m*
1280x720p@60Hz	73.8 MHz	100 m / 130 m*	90 m / 120 m*	120 m / 170 m*
1920x1080p@60Hz (24bpp)	148.5 MHz	100 m / 130 m*	90 m / 120 m*	120 m / 170 m*
1920x1200@60Hz	152.9 MHz	100 m / NA	90 m / NA	120 m / NA
1600x1200@60Hz	162 MHz	100 m / NA	90 m / NA	120 m / NA
1920x1080@60Hz (36bpp)	222.75 MHz	70 m / NA	70 m / NA	120 m / NA
3840x2160@30Hz UHD **	297 MHz	70 m / NA	70 m / NA	100 m / NA
4096x2160@30Hz 4K **	297 MHz	70 m / NA	70 m / NA	100 m / NA

* Long reach TPS mode supports pixel clock frequencies up to 148.5 MHz.

❶ CAT7 SFTP AWG23 cable is always recommended.

Mounting Options - FP-HDMI-TPS-RX97-CRFB

❶ CRFB Floorbox is not supplied with the product.



Specifications

General

Compliance	CE
Electrical safety	EN 62368-1:2014
EMC (emission)	IEC/EN 55032:2015
EMC (immunity)	IEC/EN 55035:2017
RoHS	EN 63000:2018
Cooling	by a cooling fan
Weight	approx. 370g

Power

Power supply	external power adaptor / PoE (IEEE 802.3af) via TPS
Power adaptor	Input 100-240 V AC 50/60 Hz, Output 48V DC, 0.5 A
Power consumption	5W (typ) / 5.4W (max)

Connectors

TX input	HDMI connector
TX output	RJ45 (TPS interface)
Ethernet	RJ45
IR input, output	3.5 mm (1.8") jack connector
Serial port	3-pole Phoenix
Power	2-pole Phoenix

TPS port (HDBaseT™-compatible)

Ethernet / RS-232 / IR pass-through	yes
-------------------------------------	-----

Digital video signal

Supported signals	DVI 1.0, HDMI 1.4
Signal standard	DVI and HDMI standard which supports embedded audio
Supported resolutions	up to 4K / UHD (30Hz RGB 4:4:4, 60Hz YCbCr 4:2:0)1920x1080@120 Hz, 24 bit
3D support	yes
HDCP compliant	yes
Control over CEC	yes, only in the HDMI signal
EDID support	transparent
Cable length (HDMI input port at full HD res.)	max. 20 m
Cable length (HDMI input port at 4K 30Hz res.)	max. 5 m
Equalization	adaptive, automatic

Ventilation

⚠ To ensure the correct ventilation and avoid overheating mount the extender into an industrial standard switch/outlet box. Let enough free space in front of the appliance and keep the ventilation holes free.

The picture on the right side shows the direction of the airflow.

