

Specifications

SMART V30 projector

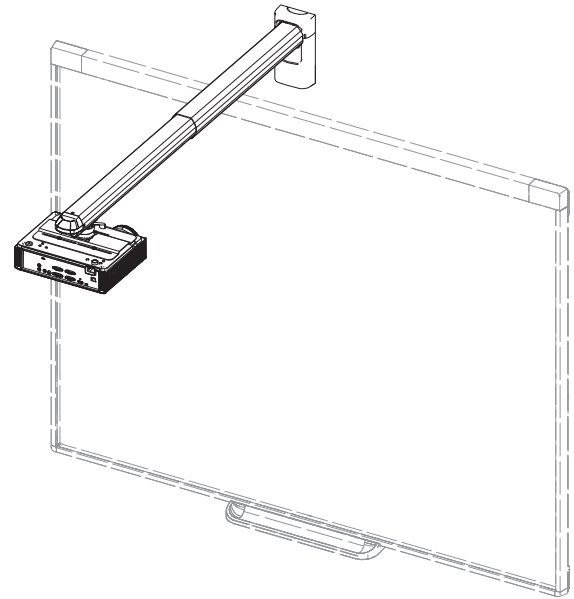
Model V30

Overview

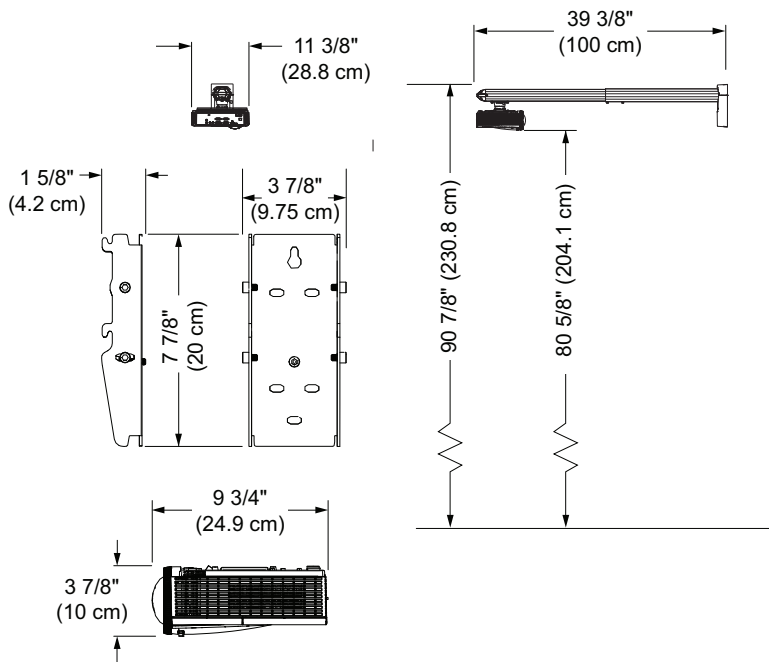
The SMART V30 projector provides a bright high-resolution image on a short boom delivering high-definition, high-performance interactivity that is virtually shadow-free and glare-free.

The projector supports video and audio connections from a variety of devices including DVD and Blu-ray™ players, document cameras, and other high-definition sources, and can project media from these sources onto the interactive screen. All HDMI 1.4 inputs are HDCP compliant.

See smarttech.com for more information on this product.



Dimensions and weights*



SMART V30 projector

Weight (projector only)

5 lb. 12 oz. (2.6 kg)

Weight (projector and boom)

18 lb. 14 oz. (8.6 kg)

Shipping dimensions (projector only)

16 1/4" W × 13" H × 5 3/4" D
(41.8 cm × 33 cm × 14.7 cm)

Shipping dimensions (boom only)

35" W × 5 3/4" H × 11 1/8" D
(89 cm × 14.8 cm × 28.1 cm)

Shipping weight (projector only)

7 lb. 12 oz. (3.5 kg)

Shipping weight (boom only)

11 lb. 2 oz. (5.1 kg)

Hardware

Brightness (Standard)	3000 lumens in 240 W mode at a CCT of 6500 K by the IEC method
Brightness (Eco 1)	2250 lumens in 190 W mode at a CCT of 6500 K by the IEC method
Native resolution	XGA 1024 × 768
Aspect ratio	4:3 with support for 16:9, 16:10 and 5:4 with scaling.
Throw ratio	Short-throw 0.630:1 ratio
Throw distance	39" (1 m)
Keystone	Vertical keystone adjustment available.
Display technology	The projector uses DLP® technology by Texas Instruments™, providing BrilliantColor™ performance and quality Gamma 2.2 correction with Bright Room, Dark Room, sRGB, User and SMART Presentation modes.
Color support	24 bit (16.7 million colors)
Lamp life	6500 hours in Standard (ImageCare) 240 W mode. 8000 hours in Eco 1 (ImageCare) 190 W mode.
Integrated speaker	5 W RMS
Projector noise	38 dBA (Normal mode) or 32 dBA (Eco 1 [Image Care]) measured using the ISO-7779 method
Contrast ratio (typical)	3000:1

*All dimensions ± 1/8" (0.3 cm). All weights ± 2 lb. (0.9 kg)

Video system compatibility	HDTV (720p and 1080p) video system compatibility and HD Ready (HDMI technology and 720p) available, NTSC, NTSC 4:43, PAL, PAL-N, PAL-M and SECAM (480i/p and 576i/p)
Video interface compatibility	HDCP compliant HDMI, Composite, VESA® RGB with additional interface support for Component YPbPr and Component YCbCr inputs with the proper adapters (not included)
Horizontal frequency	15 kHz–72 kHz
Vertical frequency	25 Hz–75 Hz
Clock frequency	165 MHz
External management	Infrared remote control, RS-232 control port, internal web page
Theft protection	Padlock ring
Included cables and hardware	Infrared remote control 14' 9" (4.5 m) power cable

Connectors

3.5 mm phone jack audio input (shared by VGA 1 and VGA 2 input)
 3.5 mm phone jack audio input (composite video)
 3.5 mm phone jack audio variable output
 DB15F RGB VGA video input (VGA In) × 2
 DB15F RGB VGA video output (VGA Out)
 DB9F RS-232 control port
 HDMI 1.4 input
 Power (100V–240V AC at 50 Hz–60 Hz)
 Mini-USB B port (for service use only)
 RJ45 Ethernet connector
 RCA analog composite video (yellow)

Storage and operating requirements

Power consumption

Normal mode	310 W
Eco 1 mode	240 W
Standby mode	0.5 W
Standby mode with network enabled	≤ 4 W

Operating temperature	0' to 2500' (0 m to 762 m): 41°F to 104°F (5°C to 40°C)
	2500' to 5000' (762 m to 1524 m): 41°F to 95°F (5°C to 35°C)
	5000' to 10 000' (1524 m to 3048 m): 41°F to 86°F (5°C to 30°C)

Storage temperature	-4°F to 122°F (-20°C to 50°C)
----------------------------	-------------------------------

Humidity	Up to 80% storage relative humidity, non-condensing. Up to 80% operating relative humidity, non-condensing.
-----------------	--

Certification and compliance

Regulatory certification BIS, BSMI, CB, CCC, CE, C-Tick, CU, FCC, KC, NOM, PSE, SABS, S-Mark, TUV-GS and UL/CSA (U.S./Canada)

Environmental compliance

China	EIP
European Union	REACH, RoHS, WEEE, Battery, Packaging and ErP Standby
U.S.	Packaging and Conflict Minerals

Warranty

Projector	Three-year limited equipment warranty
Projector lamp (original lamp included with the projector)	3000-hour/three-year warranty
Replacement projector lamp	1000-hour/one-year warranty

Purchasing information

Order numbers

1025290	Replacement SMART V30 projector lamp module
1013576	Optional mounting hardware kit (see smarttech.com/kb/160505)

Optional extended warranty

EWY2-V30	SMART V30 projector two-year extended warranty (available at time of projector purchase only)
----------	---

Optional accessories See smarttech.com/accessories

smarttech.com/support

smarttech.com/contactsupport

© 2014 SMART Technologies ULC. All rights reserved. smarttech, the SMART logo and all SMART taglines are trademarks or registered trademarks of SMART Technologies ULC in the U.S. and/or other countries. All other third-party product and company names may be trademarks of their respective owners. This product and/or use thereof covered by one or more of the following U.S. patents. www.smarttech.com/patents. Contents are subject to change without notice. 12/2014.