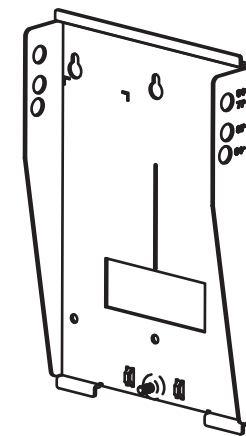
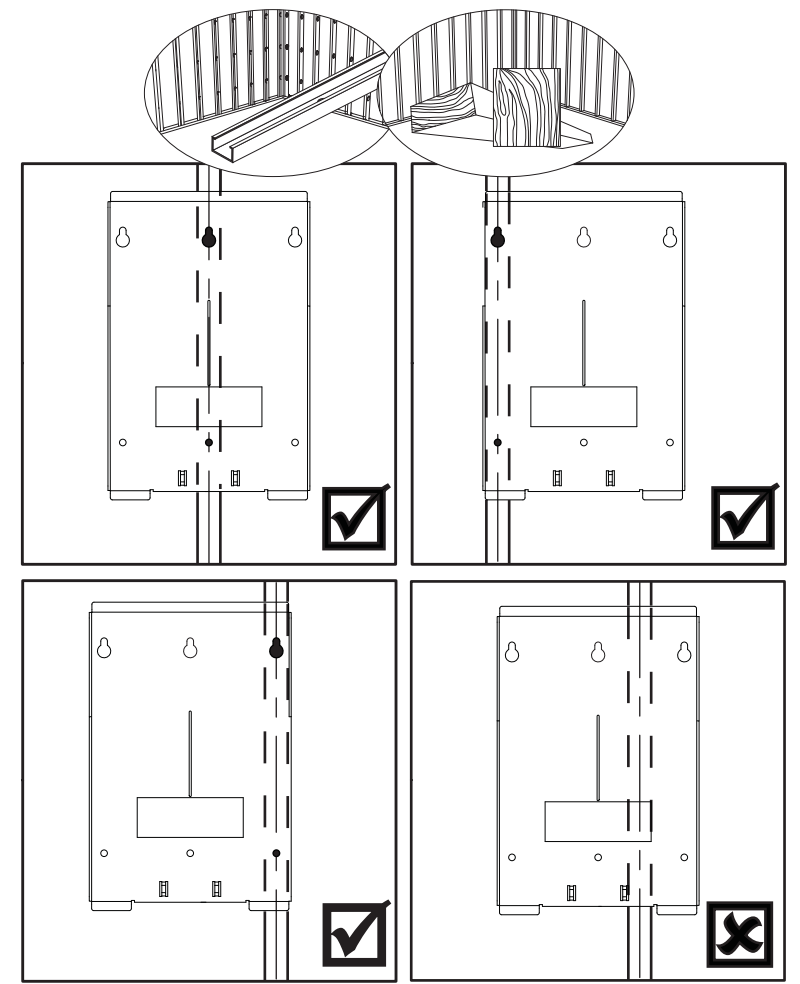
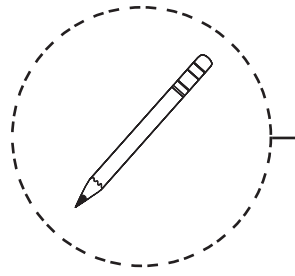
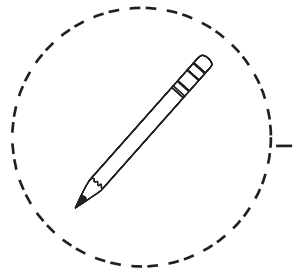


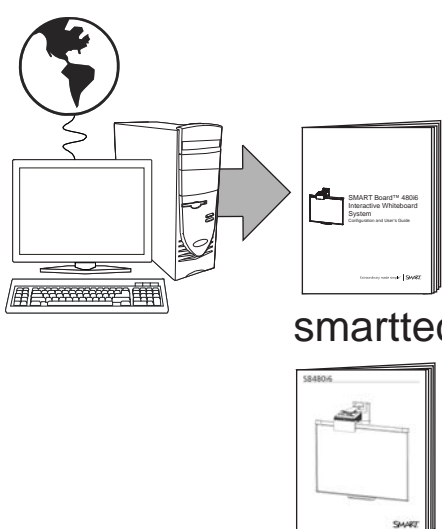
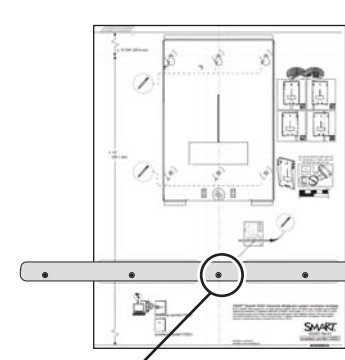
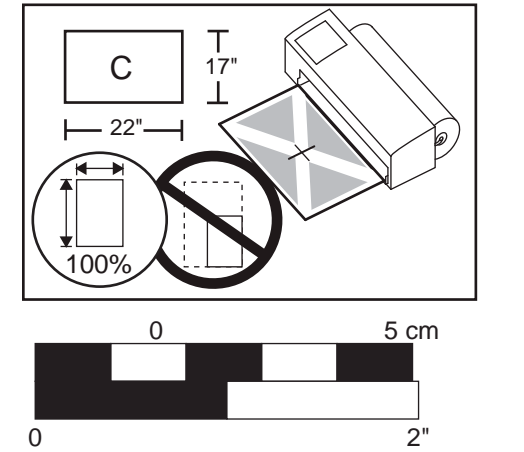
≥ 10 3/8" (26.4 cm)

= 15" (36.1 cm)

= 80 5/8" (204.8 cm)



You are permitted to make copies of this document at 100% scale and distribute the copies for use.



smarttech.com/kb/170401

smarttech.com/kb/170553

SMART Board® 480i6 interactive whiteboard system installation template

© 2013 SMART Technologies ULC. All rights reserved. SMART Board, the SMART logo, smarttech and all SMART taglines are trademarks or registered trademarks of SMART Technologies ULC in the U.S. and/or other countries. All third-party product and company names may be trademarks of their respective owners. This product and/or use thereof covered by one or more of the following U.S. patents. www.smarttech.com/patents. Other patents pending. Contents are subject to change without notice. 09/2013.

smarttech.com/support
smarttech.com/contactsupport

SMART®

1022051 Rev 02

smarttech.com/kb/170552

