

Savant® Smart Series WiSA Soundbar [HST-STUDIO55WS-SUR-xx] Quick Reference Guide

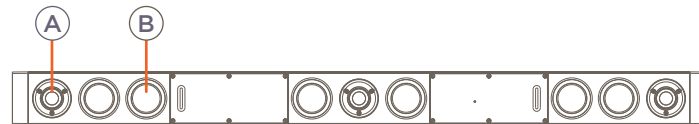
Box Contents

- (1) Smart Series WiSA Soundbar (HST-STUDIO55WS-SUR)
 - (1) Soundbar (093-3183-xx)
 - (1) Standard Grille (093-3181-xx)
- (1) Power Cord (064-0480-xx)
- (2) 6-Pin Control Connector (028-9352-xx)
- (1) Install Kit (075-0241-xx)
 - (2) Wall Mounting Bracket (071-1130-xx)
 - (1) 3mm Allen Wrench (015-0222-xx)
 - (8) M5x10mm hex screw (039-0440-xx)
 - (4) 25mm Washer 5mm ID (039-0437-xx)
 - (2) Bracket Extension 50x90 (071-1112-xx)
 - (2) Bracket Extension 70x90 (071-1113-xx)
 - (2) Rubber Feet (073-0007-xx)
 - (3) IR Emitter (064-0020-xx)
 - (1) IR Learner (064-0511-xx)
- (1) Product Regulatory Insert (009-1950-xx)

Optional Accessories (sold separately)

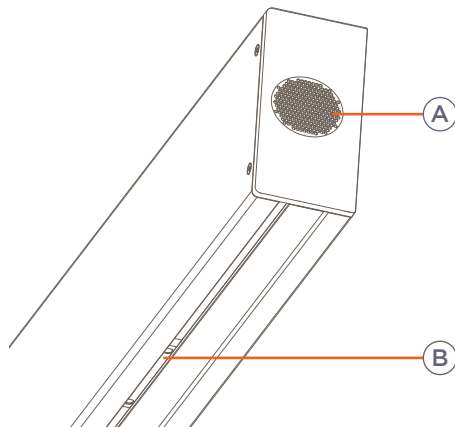
- Smart Audio Soundbar TV Mount Hardware (MNT-STUDIO55WS-TV-xx)
- Custom Grilles matched to Flat Panel TV's

Front Panel



- A** Front Tweeters (3) 25 mm Vifa XT Super Audio Tweeters
- B** Midrange/Woofers (6) 89 mm Long Throw Carbon Fiber Midrange/Woofers

Side and Bottom Panel

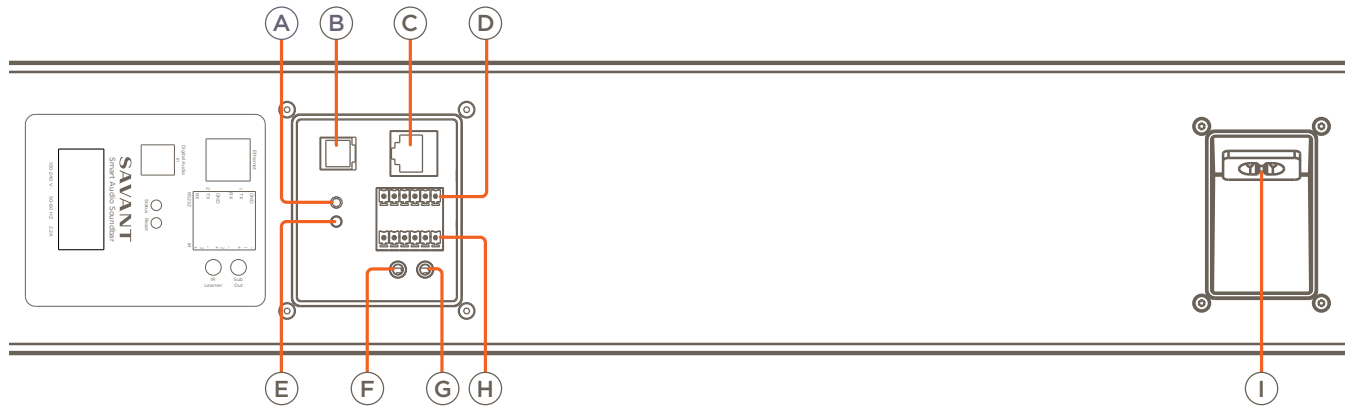


- A** Stage Tweeters (2) 19mm Silk Tweeters
- B** Mounting Slide (2) Captive M5 threaded bracket

Specifications

| Environmental | |
|---------------------------|---|
| Temperature | 32° to 104° F (0° to 40°C) |
| Humidity | 10% to 90% (non-condensing) |
| Dimensions and Weights | |
| | Height Width Depth Weight |
| Soundbar | 4.17 in (10.59 cm) 53.41 in (135.65 cm) 2.25 in (5.71 cm) 21.7 lb (9.9 kg) |
| with included Grille | 4.61 in (11.71 cm) 53.41 in (135.65 cm) 2.40 in (5.93 cm) 27.9 lb (12.7 kg) |
| Shipping | 9.50 in (24.13 cm) 63.20 in (160.53 cm) 6.50 in (16.51 cm) 33.0 lb (15.0 kg) |
| Power | |
| Input | 120/240V AC (50/60 Hz) |
| Maximum | 250W |
| Operating Parameters | |
| Frequency Response | 80 Hz - 40 kHz +/- 3 dB |
| Sensitivity | 89 dB @ 2.83V/1 meter |
| Networking | |
| Wired | IEEE 802.1 AVB/TSN 2 |
| Wireless | IEEE 802.11 b/g/n 2.4GHz/5.0GHz |
| Regulatory | |
| Safety and Emissions | FCC Part 15 CE C-Tick UL LISTED |
| Contains FCC ID | Z64-WL18DBMOD |
| Contains IC | 451I-WL18DBMOD |
| RoHS | Compliant |
| Minimum Supported Release | |
| Savant Software | da Vinci 9.2 Studio 3.1 |

Rear Panel



Off: Embedded processor is resetting, or is powered up, and is booting the embedded firmware.

Green: Host has established communications with the embedded system.

Green Blinking: Embedded system is ready, but no communication has been established with the host.

Red: Host has determined the firmware needs to be updated, but a problem occurred during the process that will initiate a reset.

Red Blinking: Embedded firmware is running, but has not received a DHCP IP Address.

Amber: Host is updating the embedded firmware.

Amber Blinking: Embedded system has a valid link local IP Address and is connecting to the host.

Hardware Failure: If a hardware failure occurs, the status LED indication will be interrupted every three seconds with a solid red indication. For example, if the LED is blinking green when a hardware failure occurs, the LED will alternate between blinking green and solid red at three-second intervals.

(A) Status LED

(B) Digital Audio Input

Digital optical audio inputs (TOSLink). Inputs support up to 192kHz/24-bit digital audio and up to 5.1 encoded audio.

(C) Ethernet

8-pin RJ-45 port 10/100 Base-T auto-negotiating port. Supports Audio Video Bridging (AVB).

(D) Serial Ports

(2) RS-232 Ports

Uses 6-pin Screw down plug-in connection. Transmits and receives serial data to and from serial controllable devices.

(E) Reset

Resets the network.

Hold Reset Button for 5 seconds while powered on to clear network settings. Status LED will rapidly blink red when reset is complete.

(F) IR Learner

3.5 mm connection, for use with the included IR learner (Studio Only).

(G) Sub Out

3.5 mm analog connection, Direct line level, 2.1 V_{RMS} max.

(H) IR Ports

(3) IR Ports

Uses 6-pin IR Connectors to send IR signals to control devices with an IR input or IR receiver via an IR flasher (5V tolerant only).

(I) Power Input

120/240V AC (50/60 Hz)

Installation

Wall Mount

1. Attach the Wall Mounting Brackets to the wall using the appropriate fasteners to account for the weight of the soundbar.

NOTE: The two wall brackets must be far enough apart so the soundbar does not wobble on the wall.

2. Make the power and control connections before the soundbar is attached to the brackets.
3. Attach the Soundbar.

Rubber Feet



IMPORTANT! The rubber feet must be used with the included grille.

1. Align the foot under the center speaker of the Right/Left Channel.
2. Remove the waxed paper from the adhesive.
3. Attach the foot to the soundbar.
4. Repeat for the second rubber foot.

Host Mode

Host mode can be disabled/enabled from the device's Web UI. For more information see the IP Audio Products with Integrated Host Deployment Guide (009-1839-xx).

Further Product Information

To view available documentation, detailed product specs, and more:

- Visit the Savant Knowledge tab via the [Savant Customer Community](#) to search all Savant documentation.

FCC Regulations

This device complies with part 15 of the FCC Rules. Operation is subject to the following two conditions:

1. This device may not cause harmful interference, and
2. This device must accept any interference received, including interference that may cause undesired operation.

This equipment has been tested and found to comply with the requirements for CLASS B digital devices, pursuant to Part 15 of FCC Rules. These requirements are designed to provide reasonable protection against harmful interference when the equipment is operated in a residential installation. This equipment generates, uses and can radiate radio frequency energy, and if not installed and used in accordance with the instructions, may cause harmful interference to radio communications. If this equipment does cause harmful interference to radio or television reception (which can be confirmed by turning the equipment off and on), the user is encouraged to attempt to correct the interference using one or more of the following measures:

- Reorient or relocate the receiving antenna.
- Increase the separation between the equipment and the receiver.
- Ensure that the power sources for this equipment and the receiver are connected to different circuits.
- Consult the dealer or an experienced radio/TV technician for help.

FCC Caution

Any changes or modifications not expressly approved by the party responsible for compliance could void the user's authority to operate this equipment. This transmitter must not be co-located or operating in conjunction with any other antenna or transmitter.

Radiation Exposure Statement

This device meets the government's requirements for exposure to radio waves.

This device is designed and manufactured not to exceed the emission limits for exposure to radio frequency (RF) energy set by the Federal Communications Commission of the U.S. Government.

This equipment complies with FCC radiation exposure limits set forth for an uncontrolled environment. This equipment should be installed and operated with a minimum distance of 20cm between the radiator & your body.

The exposure standard for wireless device employs a unit of measurement known as the Specific Absorption Rate, or SAR. The SAR limit set by the FCC is 1.6W/kg. *Tests for SAR are conducted using standard operating positions accepted by the FCC with the device transmitting at its highest certified power level in all tested frequency bands.

IC Statement

This device complies with Industry Canada license-exempt RSS standard(s). Operation is subject to the following two conditions:

1. This device may not cause interference, and
2. This device must accept any interference, including interference that may cause undesired operation of the device.
 - This Class B digital apparatus complies with Canadian ICES-003.
 - This device and its antenna(s) must not be co-located or operating in conjunction with any other antenna or transmitter, except tested built-in radios. The Country Code Selection feature is disabled for products marketed in the US/Canada.

Déclaration IC

Le présent appareil est conforme aux CNR d'Industrie Canada applicables aux appareils radio exempts de licence. L'exploitation est autorisée aux deux conditions suivantes:

1. L'appareil ne doit pas produire de brouillage, et
2. Cet appareil accepter toute interférence, y compris les interférences pouvant provoquer un fonctionnement indésirable d'appareil.
 - Cet appareil numérique de la classe B est conforme à la norme NMB-003 du Canada.
 - Cet appareil et son antenne ne doivent pas être situés ou fonctionner en conjonction avec une autre antenne ou un autre émetteur, exception faites des radios intégrées qui ont été testées. La fonction de sélection de l'indicatif du pays est désactivée pour les produits commercialisés aux États-Unis et au Canada.

Déclaration d'exposition aux radiations

Cet équipement est conforme aux limites d'exposition aux radiations de la FCC définies pour un environnement non contrôlé. Cet équipement doit être installé et utilisé avec une distance minimale de 20 cm entre le radiateur et votre corps.

Important Safety Information - Read First

Before installing, configuring, or operating any equipment, Savant recommends that each dealer, integrator, installer, etc. access and read all relevant technical documentation. Savant technical documentation can be located by visiting Savant.com. Vendor documentation is supplied with the equipment.

Read and understand all safety instructions, cautions, and warnings in this document and the labels on the equipment.

Safety Statements

All safety instructions below should be read, understood, and applied under all relevant circumstances when working with this equipment.

1. Read these instructions.
2. Keep these instructions.
3. Heed all warnings.
4. Follow all instructions.
5. Do not use this apparatus near water.
6. Clean only with dry cloth.
7. Do not block any ventilation openings. Install in accordance with the manufacturer's instructions.
8. Do not install near any heat sources such as radiators, heat registers, stoves, or other apparatus (including amplifiers) that produce heat.
9. Do not defeat the safety purpose of any polarized or grounding-type plug. A polarized plug has two blades with one wider than the other. A grounding type plug has two blades and a third grounding prong. The wide blade or the third prong is provided for your safety. If any provided plug does not fit into your outlet, consult an electrician for replacement of the obsolete outlet.
10. Protect any power cord from being walked on or pinched; particularly at plugs, convenience receptacles, and the point where they exit from the apparatus.
11. Use only attachments/accessories specified by the manufacturer, following all relevant safety precautions for any such attachments/accessories.
12. Disconnect any outlet powered apparatus from its power source during lightning storms or when unused for long periods of time.
13. Refer all servicing to qualified service personnel. Servicing is required when the apparatus has been damaged in any way, such as a damaged power supply cord or plug, liquid being spilled or objects having fallen into the apparatus, the apparatus being exposed to rain or moisture, apparatus having been dropped, or other failure to operate normally.
14. To completely disconnect equipment from AC mains power, disconnect the power supply cord plug from the AC receptacle.
15. For applicable equipment, use the included power cord with the grounding prong intact to insure proper grounding of the device.
16. For any hardwired or fixed in-wall apparatus, carefully follow all wiring diagrams and instructions. All electrical wiring and servicing should be performed by a properly licensed electrician.

Informations importantes sur la sécurité - Lire d'abord

Avant d'installer, de configurer et d'utiliser des équipements Savant et d'autres équipements fournisseurs, Savant recommande à chaque revendeur, intégrateur, installateur, etc. d'accéder et de lire toute la documentation technique requise. La documentation technique de Savant peut être localisée en visitant Savant.com. La documentation du fournisseur est fournie avec l'équipement.

Lisez et comprenez toutes les consignes de sécurité, les mises en garde et les avertissements dans ce document et les étiquettes sur l'équipement.

Déclarations de sécurité

Suivez toutes les consignes de sécurité ci-dessous et appliquez le cas échéant. Des informations de sécurité supplémentaires seront incluses, le cas échéant.

1. Lisez ces instructions.
2. Gardez ces instructions.
3. Suivez tous les avertissements.
4. Suivez toutes les instructions.
5. Ne pas utiliser cet appareil près de l'eau.
6. Nettoyer uniquement avec un chiffon sec.
7. Ne bloquez aucune bouche d'aération. Installez conformément aux instructions du fabricant.
8. Ne pas installer à proximité de sources de chaleur telles que des radiateurs, des registres de chaleur, des poêles ou d'autres appareils (y compris les amplificateurs) qui produisent de la chaleur.
9. Ne pas vaincre l'objectif de sécurité de la fiche polarisée ou de mise à la terre. Une fiche polarisée a deux lames avec une lame plus large que l'autre. Une fiche de type à terre possède deux lames et une troisième broche de mise à la terre. La lame large ou la troisième broche est fournie pour votre sécurité. Si la fiche fournie ne rentre pas dans votre prise, consultez un électricien pour le remplacement de la prise obsolète.
10. Protégez le cordon d'alimentation d'être piétiné ou pincé en particulier sur les bouchons, les récipients de commodité, et le point où ils sortent de l'appareil.
11. N'utilisez que des pièces jointes ou accessoires spécifiées par le fabricant, en suivant toutes les précautions de sécurité appropriées pour tout accessoire ou accessoires.
12. Débranchez tout équipement de la source d'alimentation pendant les orages ou quand il est inutilisé pendant de longues périodes de temps.
13. Confiez toute réparation à un personnel qualifié. Un entretien est nécessaire lorsque l'appareil a été endommagé de quelque manière que ce soit, tel qu'un cordon d'alimentation ou une fiche endommagée, un liquide renversé ou des objets tombés dans l'appareil, exposé à la pluie ou à l'humidité, ne fonctionnant pas normalement, ou a été chuté.
14. Pour déconnecter complètement cet équipement du secteur, débranchez la fiche du cordon d'alimentation de la prise secteur.
15. Pour les équipements applicables, utilisez le cordon d'alimentation fourni avec la broche de mise à la terre intacte pour assurer la mise à la terre correcte de l'appareil.
16. Pour tout appareil câblé ou fixe dans le mur, suivez attentivement tous les schémas de câblage et les instructions. Tout le câblage électrique et l'entretien doivent être effectués par un électricien dûment agréé.