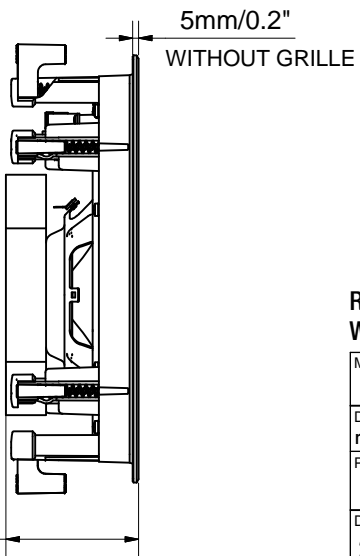
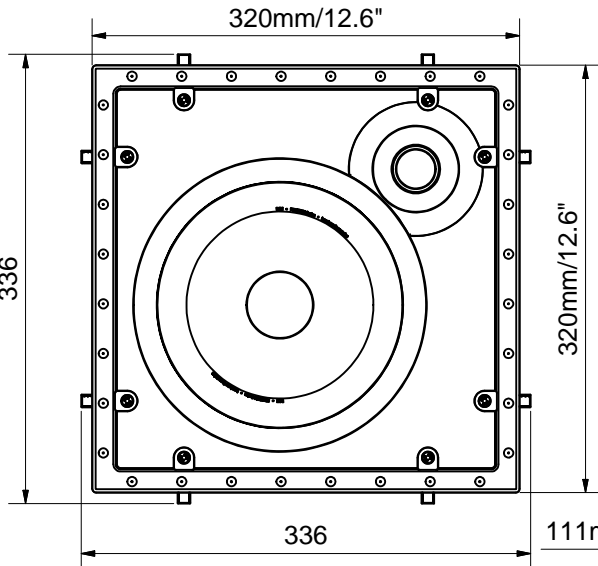
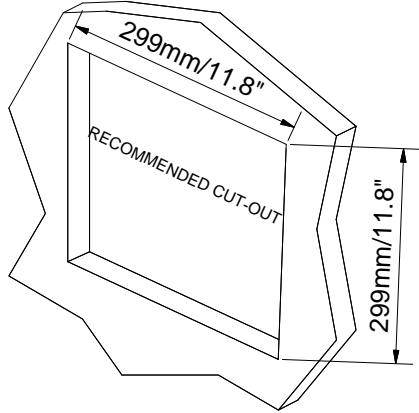
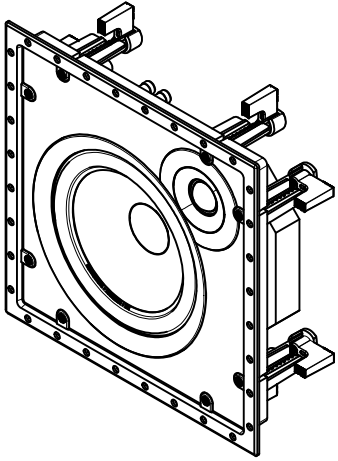
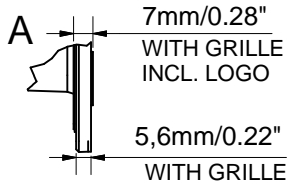
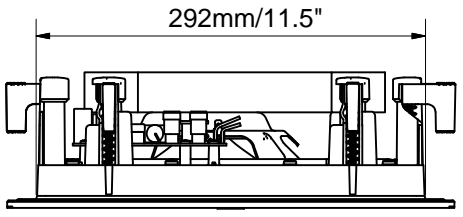
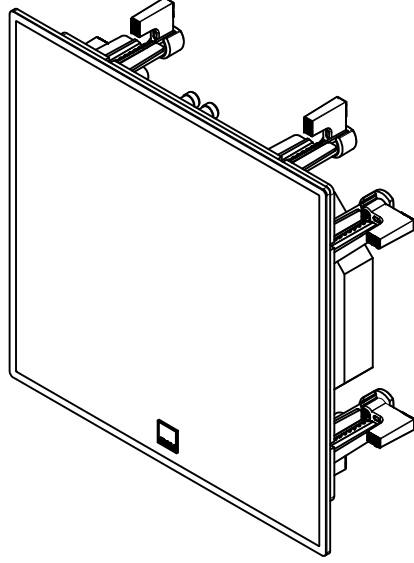
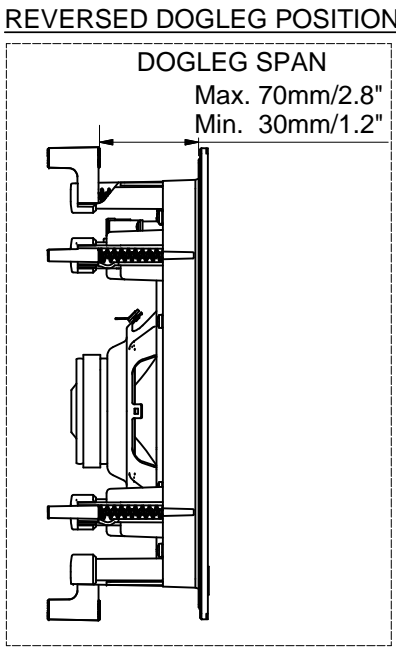
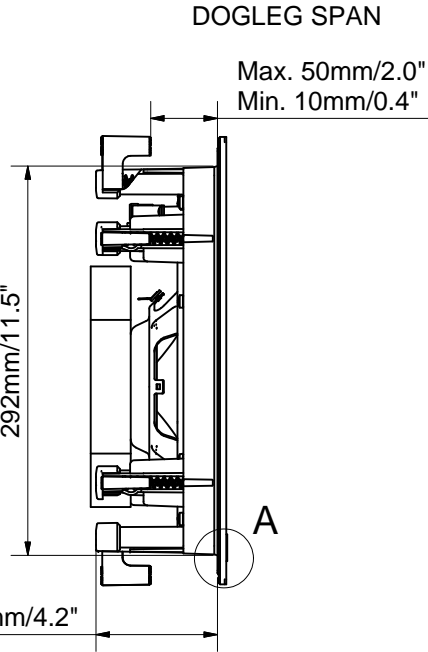
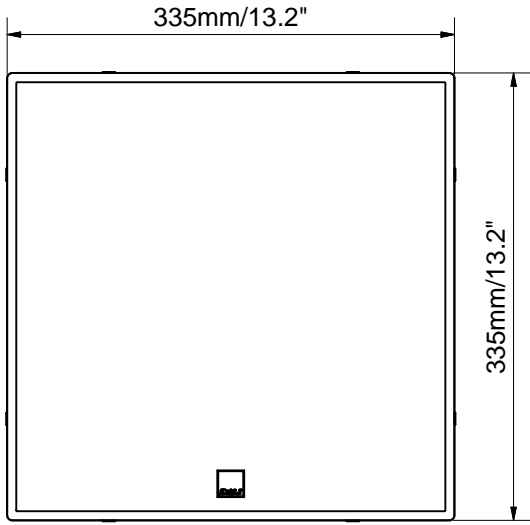


4


3

2

1



RECOMMENDED WORKING VOLUMEN: 15 - 100 liter
Weight 3.3kg.

Material:		From mm:		0,5	3	6	30	120	400	1000	
		To mm (incl.):		3	6	30	120	400	1000	2000	
General tolerances: DS/ISO 2768	Drawn by : rt	Created : 09-03-2015	Scale:	Fine	± 0,05	± 0,05	± 0,1	± 0,15	± 0,2	± 0,3	± 0,5
				Medium	± 0,1	± 0,1	± 0,2	± 0,3	± 0,5	± 0,8	± 1,2
				Rough	± 0,2	± 0,3	± 0,5	± 0,8	± 1,2	± 2,0	± 3,0
Part no: PHANTOM H_80		Revision:		Sheet: 1 / 2		 <p>DALI A/S Dali Allé 1 DK-9610 Nerager, Denmark Tel. +45 9672 1155 Fax +45 9855 1940</p>					
Drawing no.: 262058 PHANTOM H-80 Outer Dimension		B		Format: A3							
		01-02-2016									

4


3

2

1

REV	DATE	ENGINEER	APPROVED	DESCRIPTION	ECO
A	11-05-2015	RT	SUB	Released for marketing	-
B	01-02-2016	RT	LFJ	Added mессure for doglegs max. diameter. Added recommede working volumen.	-



Title:	Revision sheet	Sheet:	2 / 2	 DALI A/S Dali Allé 1 DK-9610 Nørager, Denmark Tel. +45 9672 1155 Fax +45 9855 1940
Drawing no.:	262058 PHANTOM H-80 Outer Dimension	Format:	A4	