

PLEASE THINK BEFORE YOU PRINT

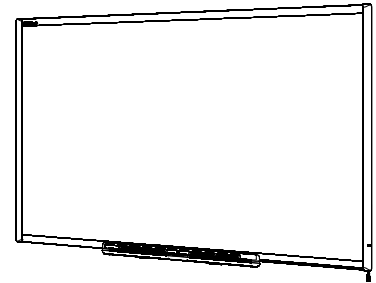
Specifications

SMART Board™ interactive whiteboard

Model 685

Physical specifications

Size	77 1/2" W × 49 1/2" H × 5 1/8" D (196.9 cm × 125.7 cm × 13 cm)
Active screen area (maximum interactive, projected image)	74" W × 46 1/8" H (188 cm × 117.2 cm) 87 1/8" (221.3 cm) diagonal 16:10 aspect ratio
Weight	42 lb. (19.1 kg)
Shipping size	
1 unit	54" W × 86 1/4" H × 5 1/2" D (137.2 cm × 219.1 cm × 14 cm)
8 units on pallet	55" W × 90 3/4" H × 45" D (139.7 cm × 230.5 cm × 114.3 cm)
Shipping weight	
1 unit	63 lb. (28.6 kg)
8 units on pallet	524 lb. (237.7 kg)



All dimensions +/- 1/8" (0.3 cm). All weights +/- 2 lb. (0.9 kg)

Extraordinary made simple™

SMART™

Standard features

Software	SMART Notebook™ collaborative learning software included. See the SMART Notebook release notes for a complete list of requirements. Software upgrades are available at smarttech.com/software .
Pen tray	Optical sensors in the pen tray detect when a pen or eraser is lifted from the tray. LEDs show the active tool.
Pens and eraser	Black, blue, red and green pen tray pens and a rectangular eraser
Resolution	Touch resolution is approximately 4000 × 4000.
Screen surface	The hard-coated polyester surface is tear proof, optimized for projection, compatible with dry-erase markers and easily cleaned with whiteboard cleaner.
Digitizing technology	Resistive
Frame finish	Dark gray (approximates Pantone® Charcoal Gray 18-0601 TPX Home and Fashion guide) and light gray (approximates Cool Gray 6 Formula guide solid matte)
Wall-mount bracket	Two brackets each × 32" (81.3 cm) wide, spaced 2" (5.1 cm) apart, with 10n screws and drywall anchors to support the wall-mounted interactive whiteboard
Computer connection	16' (5 m) USB 2.0 cable
Power requirements	Power is obtained from the computer directly through the USB cable for Windows®, Mac and Linux® computers. Power consumption is less than 1.5 W (300mA at 5V).
Certifications and compliance	CSA (U.S./Canada), CE, CB (TUV), China EIP, EU RoHS, WEEE, and VCCI
Warranty	Five-year limited equipment warranty upon registration. See warranty document for details.

NOTE

A digital projector is not included with this model of SMART Board interactive whiteboard. To take advantage of all interactive features, you must integrate a 16:10 aspect ratio digital projector.

Storage and operating specifications

Storage	-40°F to 120°F (-40°C to 50°C)
Operation	41°F to 95°F (5°C to 35°C) with up to 80% humidity non-condensing

SMART order number

SB685	87 1/8" (221.3 cm) diagonal SMART Board interactive whiteboard
--------------	--

Optional accessories

Part number	Description	NA	UK	AU
RS232-XX	RS-232 to USB conversion module that allows a serial connection to the interactive whiteboard as an alternative to USB	✓	✓	
WC6D-XX	Wireless Bluetooth® connection between the SMART Board interactive whiteboard and the computer	✓	✓	
SBA-XX	USB audio system with two 15 W speakers that mount to the interactive whiteboard or wall	✓	✓	✓
SYSON6-XX	SystemOn expansion module wakes up the computer and turns on the projector with one button press	✓	✓	
USB-GW	GoWire™ SMART Board software auto-launch USB cable			
USB-XT	16' (5 m) USB active extension cable			
CAT5-XT	USB to Cat 5 cable extender set			
RPEN-ER	Replacement set of four pen tray pens (black, red, blue and green) and rectangular eraser			
RPEN	Replacement set of four pen tray pens (black, red, blue and green)			

NOTE

Part numbers ending in XX have power supplies for those countries or regions, as indicated by ✓ in the columns to the right. When ordering, substitute the XX in the part number with the country code as follows:

NA = U.S. and Canada

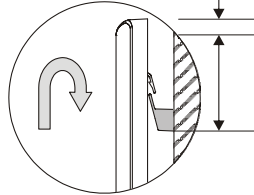
UK = United Kingdom

EU = European Union

AU = Australia

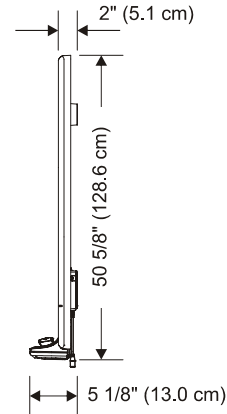
Physical dimensions

Leave at least 5/8" (1.6 cm) headroom to wall mount the interactive whiteboard.

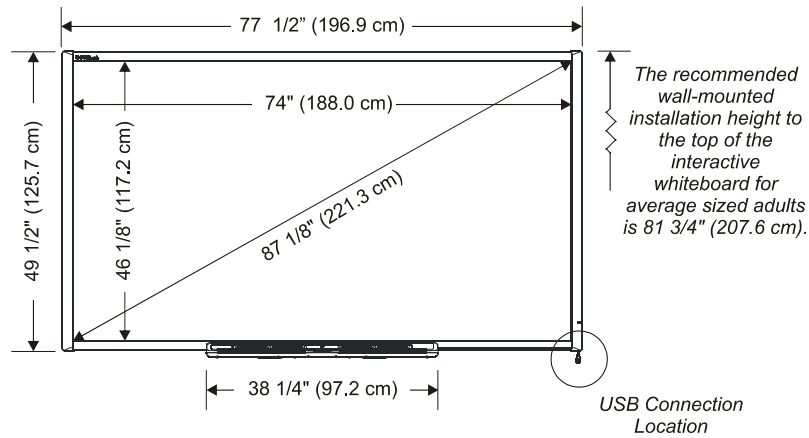


The distance from the bottom of the wall-mount bracket to the top of an installed interactive whiteboard is 4 1/4" (10.8 cm).

**Wall-Mounted
Cut Away View**



**Wall-Mounted
Side View**



**Wall-Mounted
Front View**

The recommended wall-mounted installation height to the top of the interactive whiteboard for average sized adults is 81 3/4" (207.6 cm).

USB Connection Location

