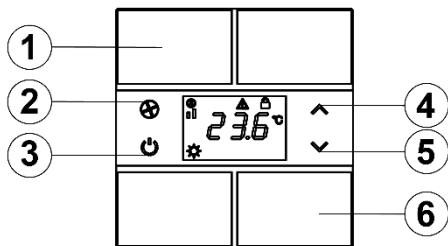
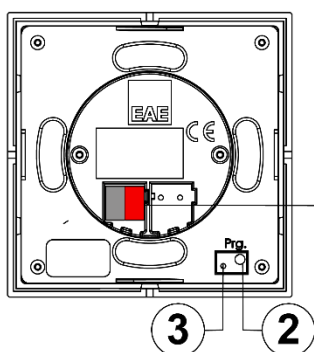


## Device Description



1. Programmable Button Group 1
2. Fan Speed (1, 2, 3, Auto)
3. Operation Mode (Comfort, Night, Away, OFF)
4. Setpoint Temperature Up
5. Setpoint Temperature Down
6. Programmable Button Group 2



1. KNX Port Terminal
2. Programming Button
3. Programming LED

## General Functions

- Current Temp. and Room Temp. is shown on LCD
- Internal Temperature Sensor (°C/ °F)
- Integrated Humidity Sensor
- Variable Fan Speeds (1, 2, 3, Auto)
- Variable Operating Modes (Comfort, Night, Away, Protection Mode)
- Fully Automatic Control (Heating / Cooling with additional stages)
- Support the HVAC units including VRF-VRV and Split Units
- PI proportional, PI On-Off (PWM), On/Off, Fan coil, Split Unit Control
- Easy installation with 60x60 mm standart switch mounting box.

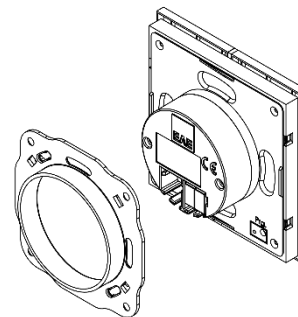
- Switching
- Dimming
- Shutter/Blind
- Value
- Scene control
- Status

## Technical Data

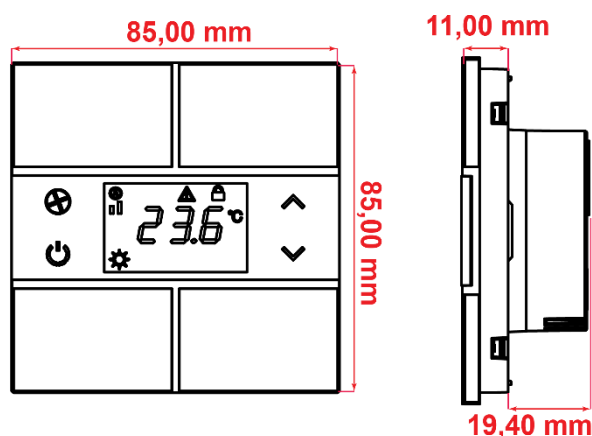
<b>Type of protection</b>	IP 20	EN 60 529
<b>Safety class</b>	II	EN 61 140
<b>KNX Supply <sup>(1)</sup></b>	Voltage	21 V... 30 V DC SELV
	Current Consumption	≤ 20 mA
<b>Connections</b>	KNX	Bus connection terminal
<b>Installation</b>	60x60 mm standard box	
<b>Temperature range</b>	Ambient	-5° C +45° C
	Storage	-25° C + 55° C
<b>Humidity</b>	Max. air humidity condensation	95 % no moisture
	Front face (1, 2 fold)	85x85 mm
<b>Dimensions</b>	Side- Surface of plaster	11 mm
	Side- Under plaster	19,4 mm
<b>Weight</b>	115 g	
<b>Box</b>	Metal, Aluminum	
<b>CE</b>	In accordance with the EMC guideline and low voltage	
<b>Application Program</b>	Communication Object	90
	Number of Addresses(max)	254
	Number of assignments(max)	255

## Installation

Installation of the product is done with the help of the flange which is inside the box. The flange is fixed to the junction box by using screws while the arrows on flange are headed to up. The switch is placed into the junction box by positioning the EAE logo upwards and then reclining it to the flange. The switch is slowly turned clockwise to give the right position to it on the flange. After the clicks are on the right position, switch is turned counter-clockwise to lock it on the flange.



Locking Scheme



## Commissioning

Device default physical address is 15.15.255. Determination of the physical address and setting of parameters are actualized with Engineering Tool Software (ETS5 or higher). "knxprod" file must be imported to the ETS. (<http://www.eaetechnology.com/>)

**i** A detailed information about parameter configuration can be found in Product Manual of device.

**!** Installation and commissioning of device may only be implemented by trained electricians. The relevant standards, directives, regulations and instructions must be observed when planning and implementing the electrical installation.

-When connecting the device make sure that the device can be isolated!

-Protect the device against moisture, dirt and damage during transport, storage and operation!

-Do not operate the device out of the specified technical data which is stated.

-The device may only be operated in closed enclosures (Distribution boards)

## Cleaning

If device becomes dirty, only a dry cloth can be used for cleaning. It is not suitable to use wet cloths, caustics and solvents.