

Specifications

SMART Board®4065 interactive flat panel

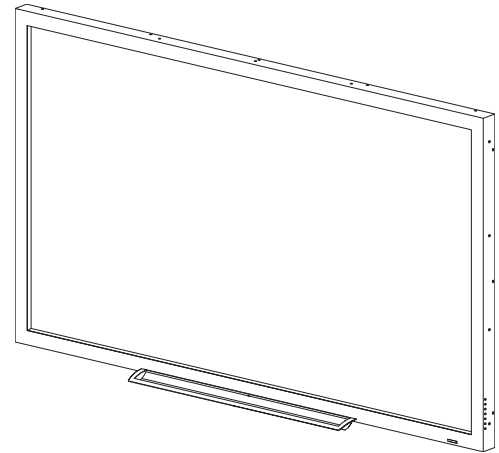
Model SPNL-4065

Overview

Designed specifically for classrooms, the SMART Board®4065 interactive flat panel combines a premium touch experience with the power of SMART Notebook®collaborative learning software on a 65" display.

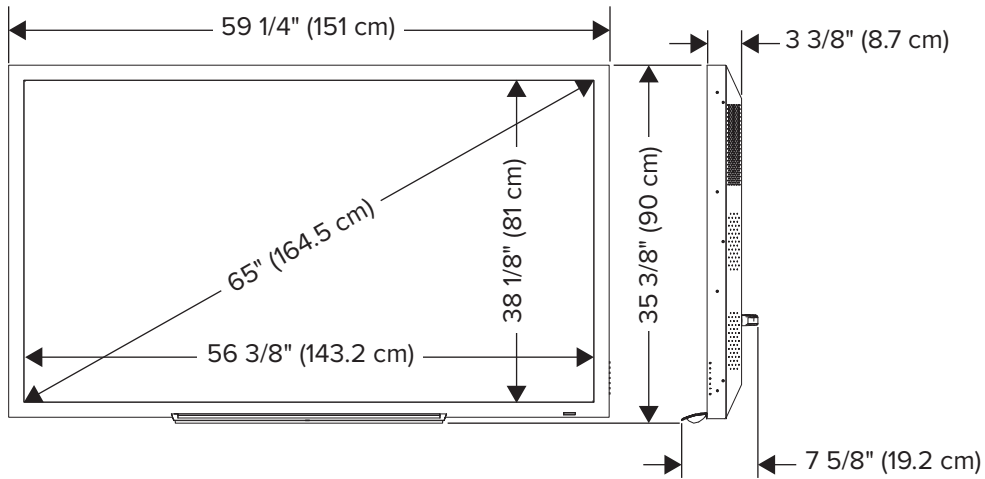
The high-definition, shadow-free 65" (164.5 cm) LED display features low-friction coated glass that enables fingers to glide smoothly over the surface, facilitating a natural touch experience. The SMART Board 4065 interactive flat panel also virtually eliminates glare and provides an optimal view from any angle in the classroom, delivering an unparalleled viewing and writing experience to offer the best value for classrooms. The multi-touch interactive flat panel features freestyle multi-user interaction anywhere on the display, enabling students to collaborate without limitations.

See smarttech.com for more information on this product.



Dimensions and weights¹

Dimensions



Weight

153 lb. (69.4 kg)

Shipping dimensions (including pallet)

One interactive flat panel

63 3/8" W x 45 1/4" H x 11" D

(161 cm x 115 cm x 28 cm)

Three interactive flat panels

63 3/8" W x 45 1/4" H x 33 1/8" D

(161 cm x 115 cm x 84 cm)

Shipping weight

One interactive flat panel

198 lb. 6 oz. (90 kg)

Three interactive flat panels

401 lb. 3 oz. (182 kg)

¹All dimensions ± 1/8" (0.3 cm). All weights ± 2 lb. (0.9 kg).

Hardware

Touch technology	Infrared
Multi touch capabilities	Eight touch on computers with Windows®7 or Windows 8 operating systems.
Gestures	Supports gestures on Windows 7 or Windows 8 operating system, and Mac OS X 10.7 or Mac OS X 10.8 operating systems software.
Pixel pitch	0.744 mm
Horizontal frequency	60 kHz–73 kHz
Vertical frequency	74 Hz–63 Hz
Contrast ratio (typical)	4000:1
Brightness	300 cd/m ²
Gamut	72% of NTSC
Viewing angle	178 degrees
Response time	6.5 ms
Optimum resolution	1920 x 1080p at 60 Hz (16:9)
Audio	Two 10 watt speakers
Mounting holes	For a VESA®600 mm x 400 mm mounting plate

Accessories

Pens and pen tray	One pen tray and two ergonomic pens with comfort grip
Power cord	North America, Europe and UK
Remote control	Infrared remote control
VGA cable	6' (1.8 m) D-sub 15 pin connector
USB cable (touch)	16' (5 m) USB A/B Type

Connectors

HDMI	Three HDMI®1.4 connections input
RGB D Sub (VGA)	D-sub 15 pin connections input
Component	Five RCA inputs (Y, Pb, Pr, L, R)
Composite	RCA analog audio and composite video inputs (red, white and yellow)
SPDIF	SPDIF optical output
USB-A	USB-A (media access)
USB-B	USB-B (touch)
PC audio	3.5 mm stereo input
AC power	IEC 60320-C14 Socket

Installation requirements

Installation	See the <i>SMART Board E70, 4065 and 4055 interactive flat panel setup and maintenance guide</i> (smarttech.com/kb/170799).
Computer	See the latest SMART Notebook software release notes at smarttech.com/support .

Operating and storage requirements

Power supply	100V AC to 240V AC, 50 Hz to 60 Hz
Power consumption	175 W max
Standby power	<0.5 W
Operating temperature	50 F to 104 F (10 C to 40 C)
Operating humidity	10% to 80%, non-condensing
Storage temperature	-13 F to 140 F (-25 C to 60 C)
Storage humidity	5% to 95%, non-condensing

Certification and compliance

Regulatory certification	UL/c-UL (U.S. and Canada), FCC, IC and CE
Environmental compliance	
European Union	REACH, RoHS, WEEE, Battery, Packaging and ErP Standby
U.S.	Packaging and Conflict Minerals

Warranty

Warranty Two-year limited equipment warranty

Purchasing information

Order numbers

SPNL-4065 SMART Board 4065 interactive flat panel. Includes a SMART Notebook software installation DVD.

Optional accessories See smarttech.com/accessories

smarttech.com/support

smarttech.com/contactsupport

© 2015 SMART Technologies ULC. All rights reserved. SMART Board, smarttech, the SMART logo and all SMART taglines are trademarks or registered trademarks of SMART Technologies ULC in the U.S. and/or other countries. All third-party product and company names may be trademarks of their respective owners. This product and/or use thereof covered by one or more of the following U.S. patents. www.smarttech.com/patents. Contents are subject to change without notice. 01/2015.